

Register your product and get support at

[www.philips.com/welcome](http://www.philips.com/welcome)

22PFL3409/93

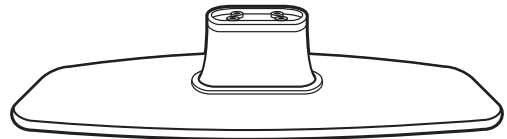
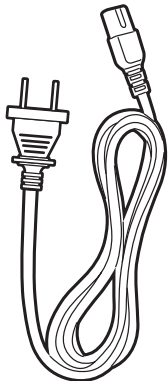
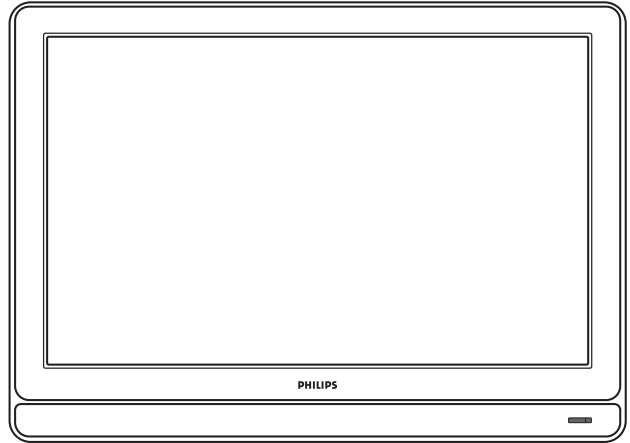
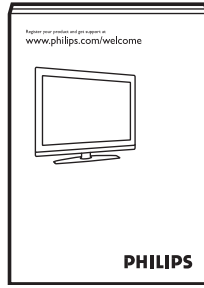
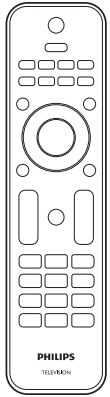


Quick

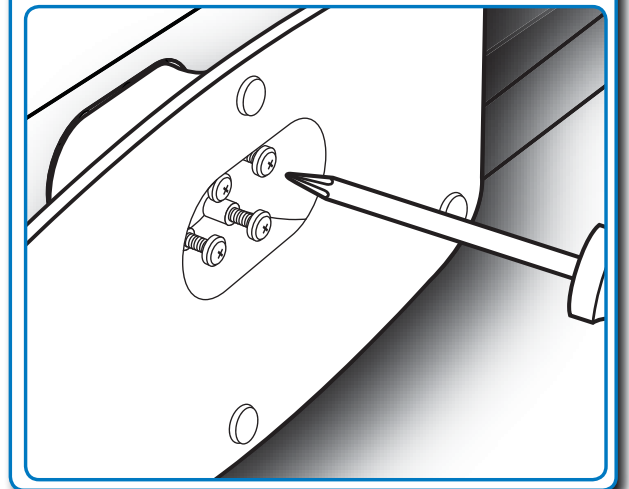
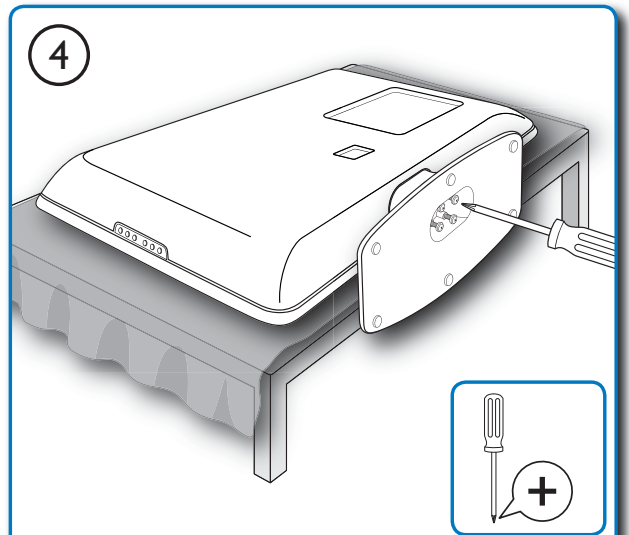
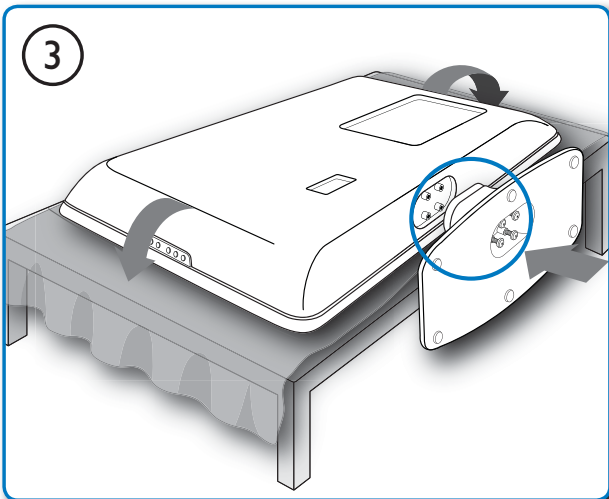
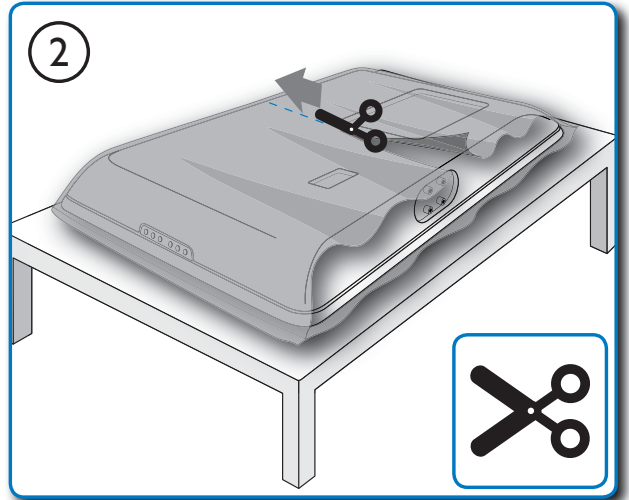
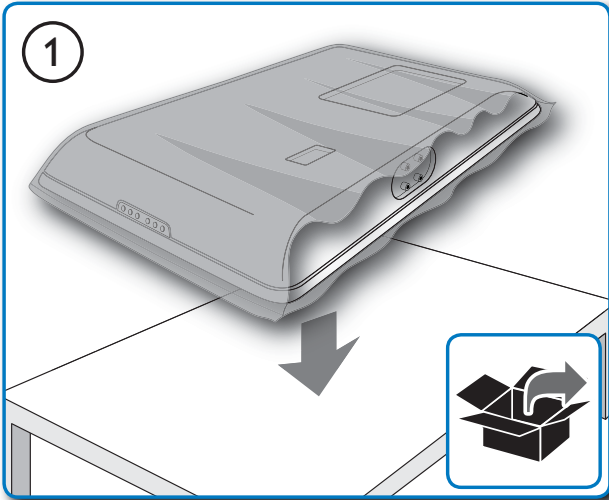
Start



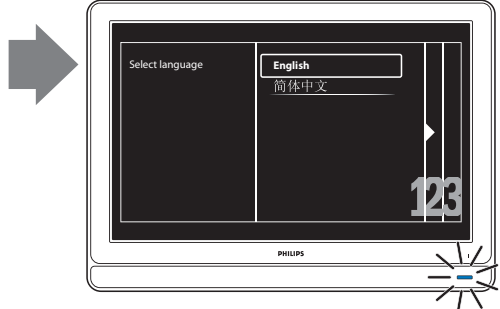
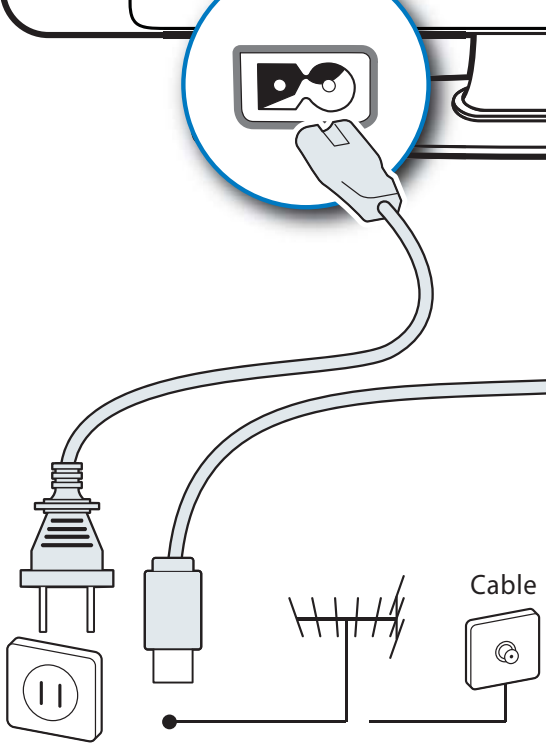
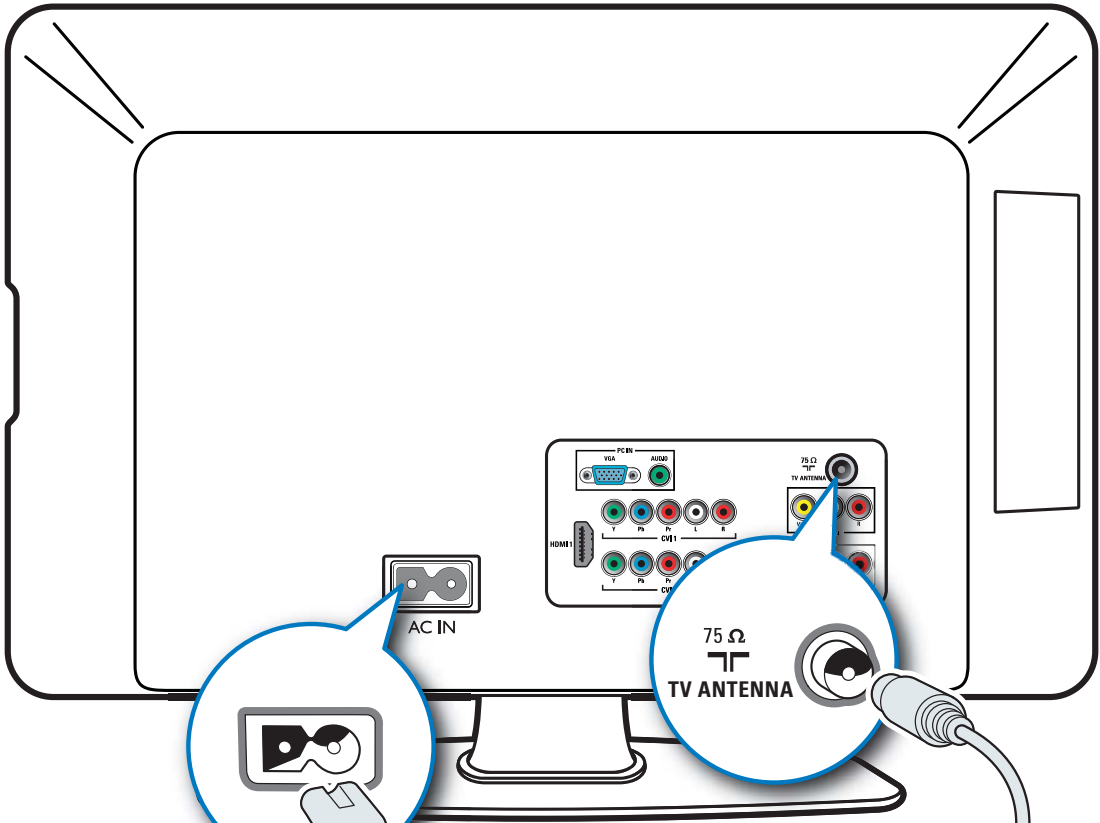
**PHILIPS**



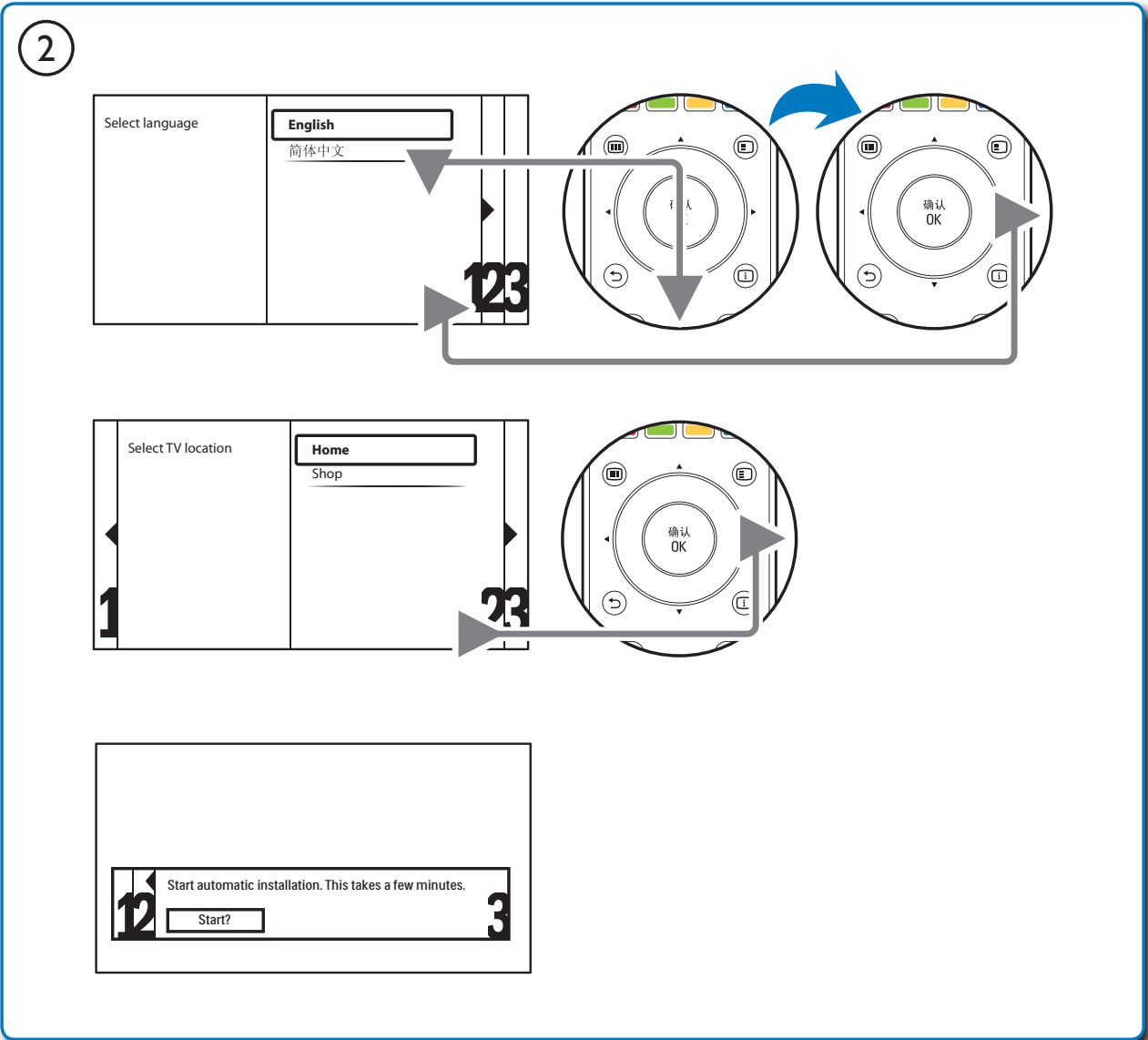
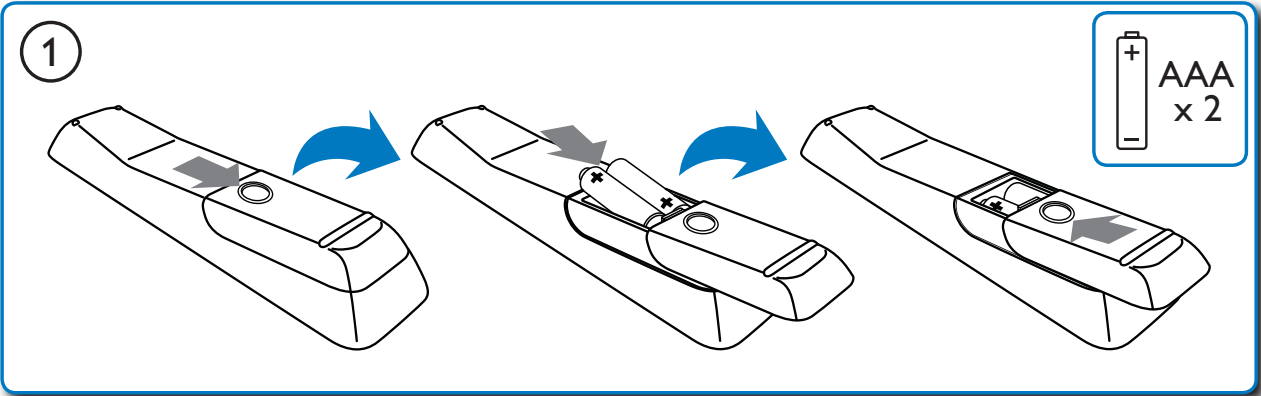
# 1



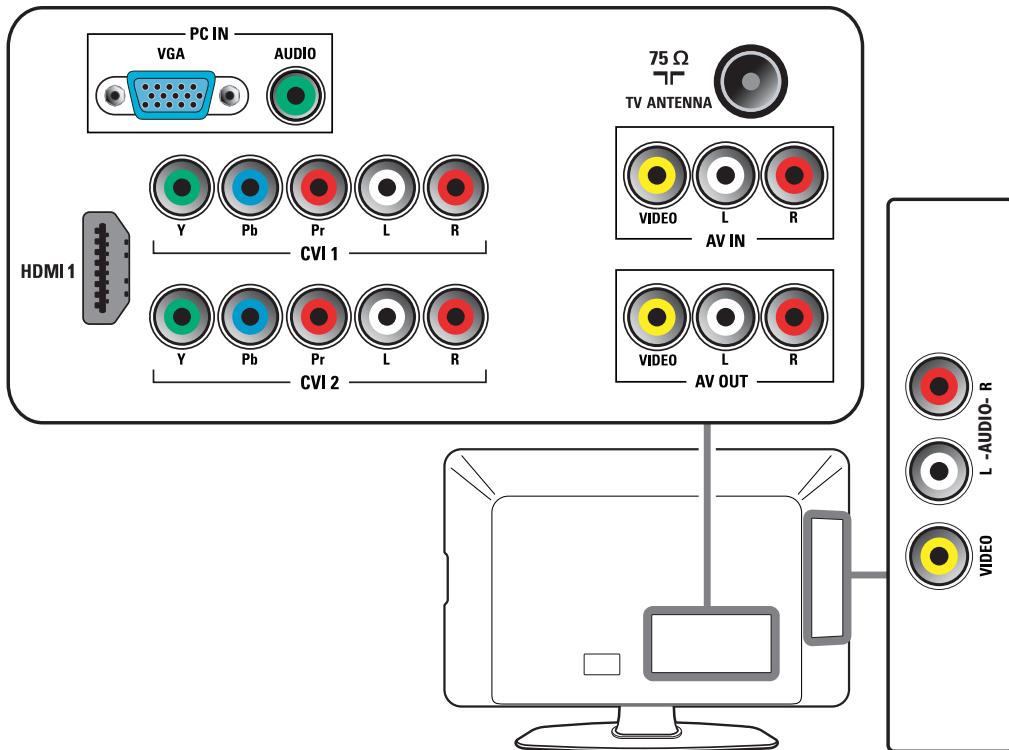
# 2



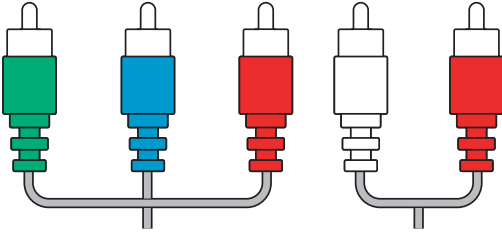

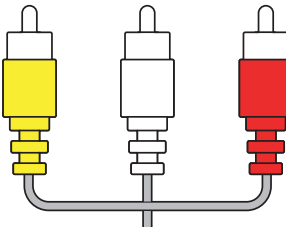



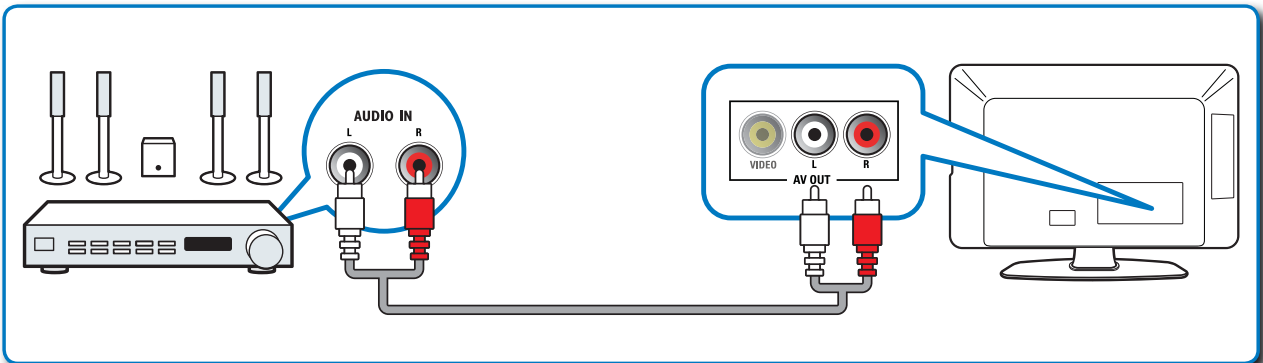
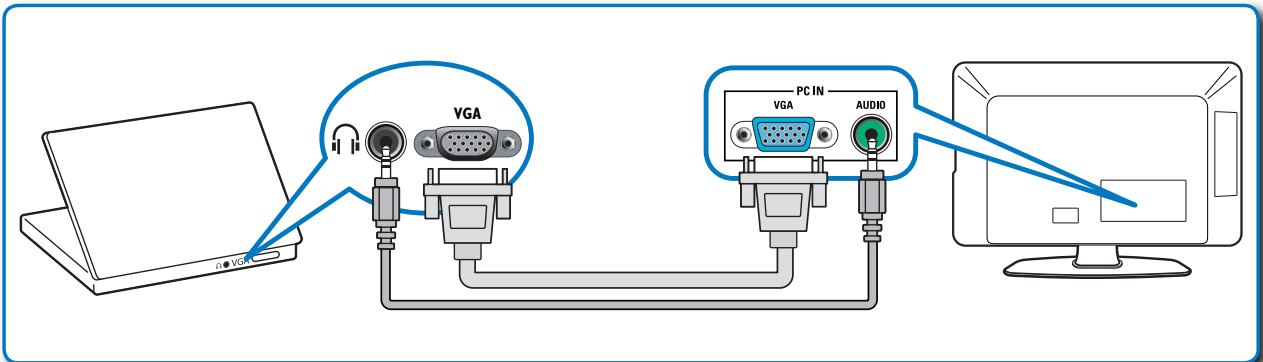
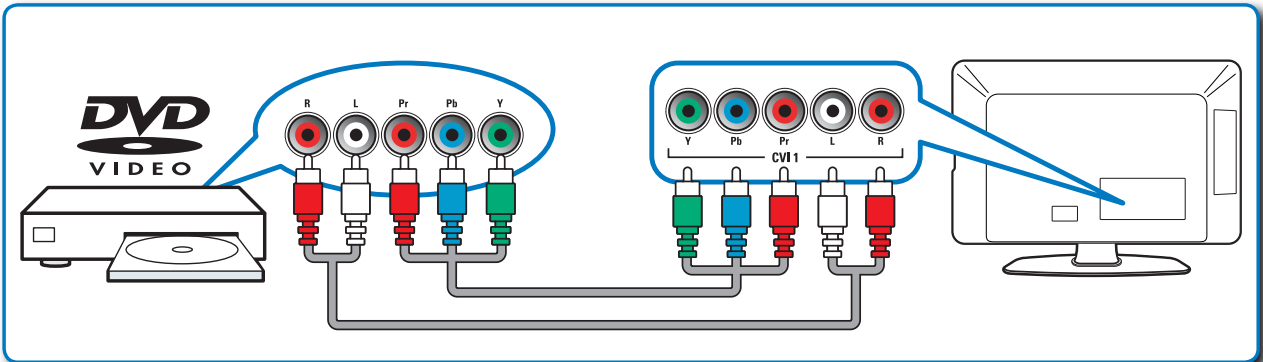
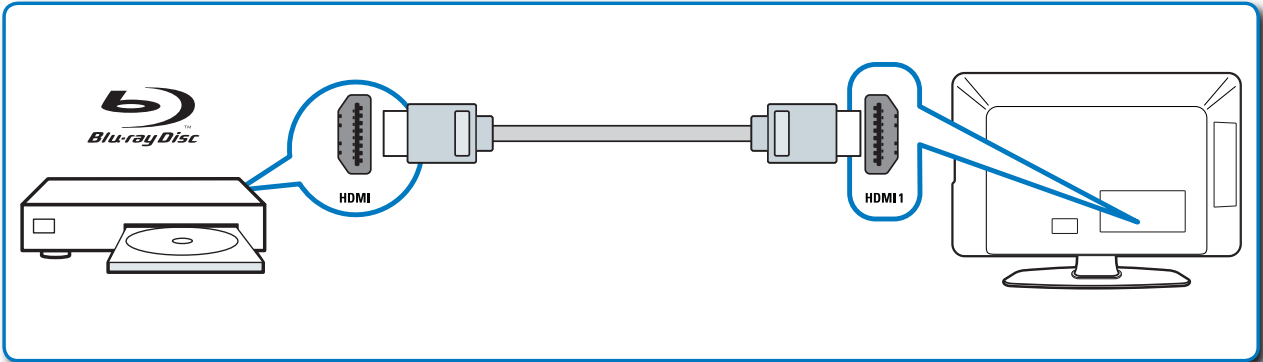
# 3

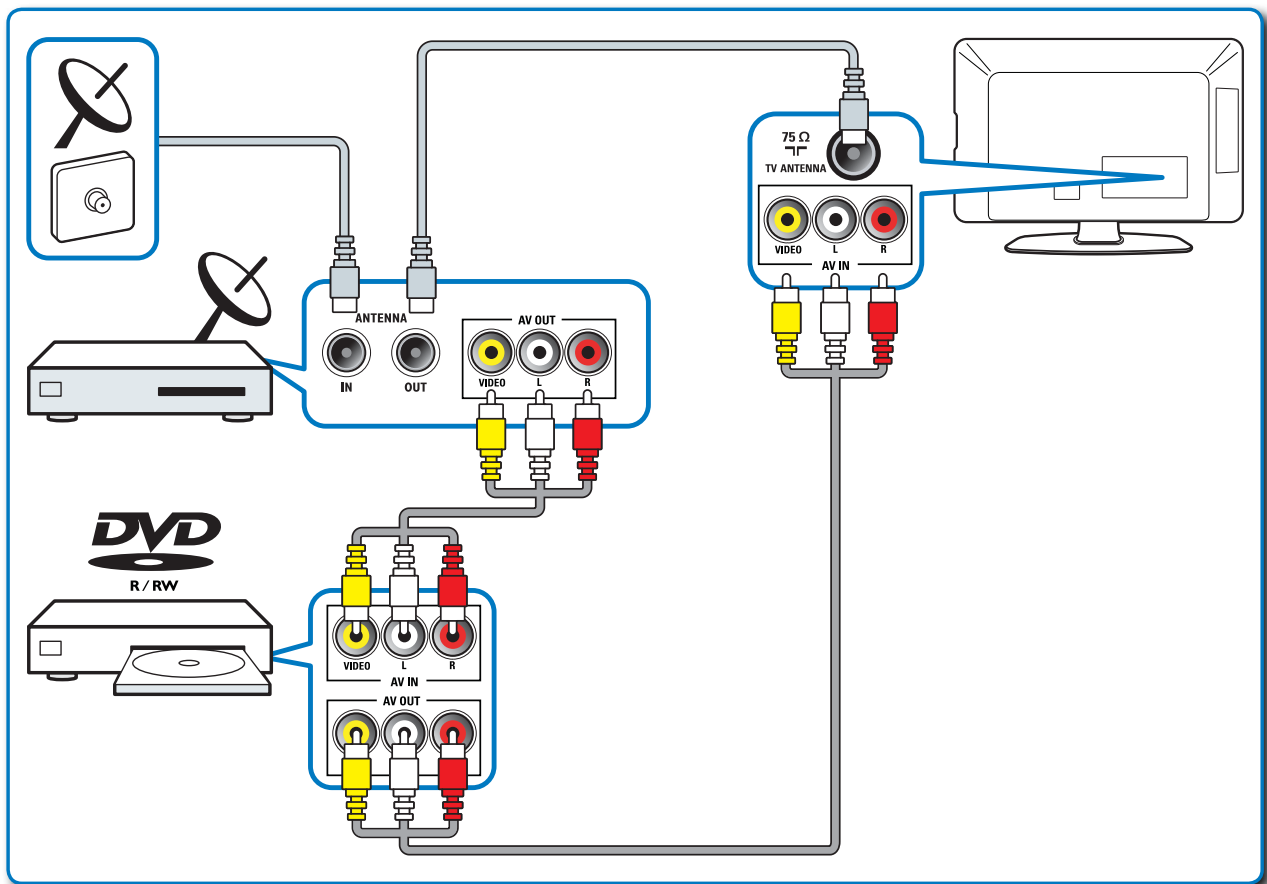


# 4

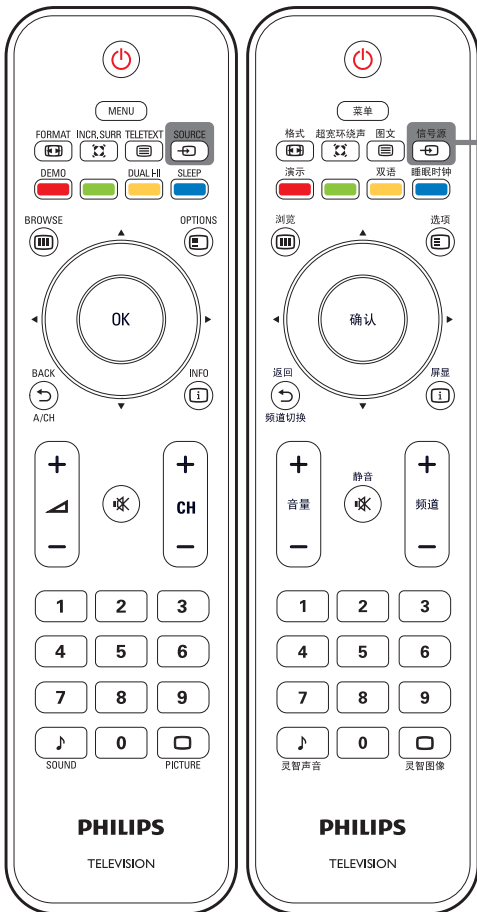


HDMI	
	
YPbPr & AUDIO L/R	
	
AUDIO L/R & VIDEO IN	
	

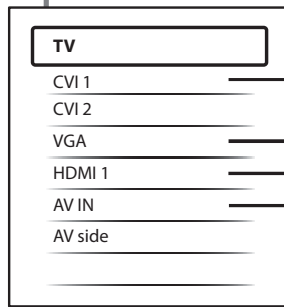








For Hong Kong only







Specifications are subject to change without notice  
Trademarks are the property of Koninklijke Philips Electronics N.V.  
or their respective owners  
2009 © Koninklijke Philips Electronics N.V. All rights reserved.

